

Flatbed Cutting Plotter

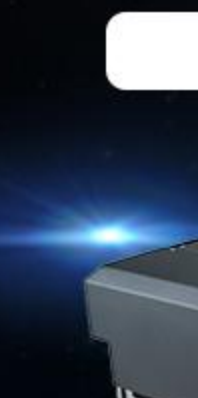
Auto Contour Cutting, High Accuracy, Vacuum Adsorbing



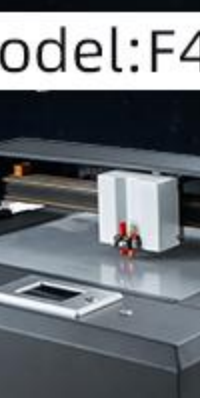
Multi-function & Multi-application



Vacuum Adsorbing



Dual Driver Gantry



Double Heads



Large Force



Dustproof Brush



Touch Screen



Multi-interfaces



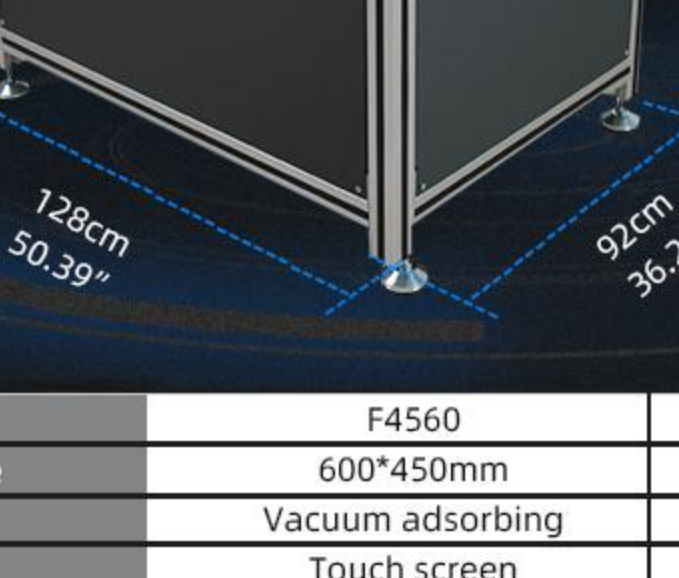
Emergency Button



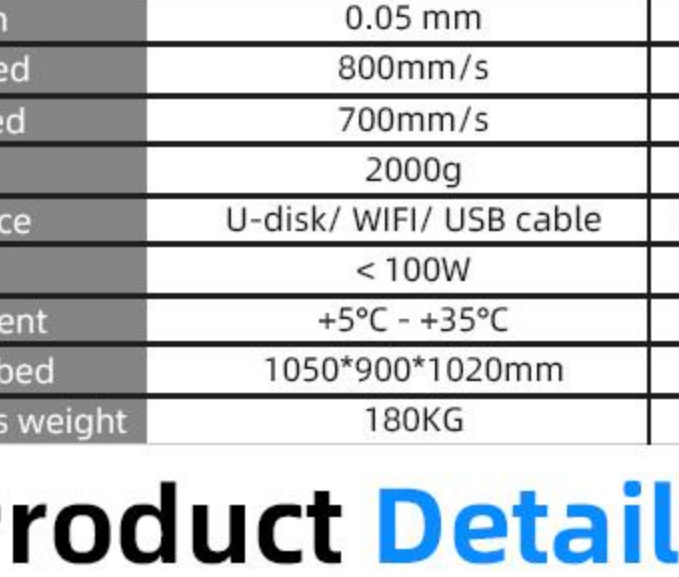
Built-in Camera

SPECIFICATION

Model:F4560



Model:F6090



Model	F4560	F6090
Max cutting size	600*450mm	600*900mm
Work Mode	Vacuum adsorbing	Vacuum adsorbing
Control Panel	Touch screen	Touch screen
Heads	Double heads	Double heads
Cutting precision	0.01mm	0.01mm
Repeat precision	0.05 mm	0.05 mm
Max. moving speed	800mm/s	800mm/s
Max. cutting speed	700mm/s	700mm/s
Max. force	2000g	2000g
Connector interface	U-disk/ WIFI/ USB cable	U-disk/ WIFI/ USB cable
Power	< 100W	< 100W
Working environment	+5°C - +35°C	+5°C - +35°C
Packing size of flatbed	1050*900*1020mm	1370*1020*1020mm
Packing of flatbed gross weight	180KG	200KG

Product Details

01

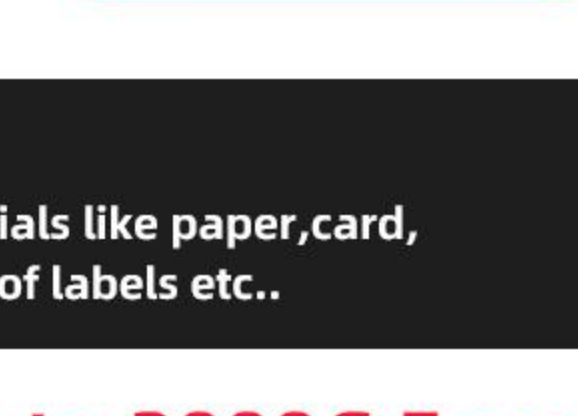
Vacuum Table

With high powered vacuum suction system, the placed media fixes reliably on the vacuum table, removing the risk of lifting during operation



1500W Vacuum Pump

Pneumatic vacuum suction of media



02

Dual Driver Gantry System

Smooth and High Accuracy



Precision Rail Guides

03

Large force

Capable to cut many materials like paper, card, synthetics, films and kinds of labels etc..

Up to 2000G Force



04

Double heads

Half cut, Creasing, Full cut



Box sample making

05

Touch Screen

User-friendly Powerful functions HD & sensitive



06

CCD Camera

Patented Feature: Built-in Camera For Auto Contour Cut Fast, Smart, Accurate



Reflective materials

Any color marks

Various colors materials

Transparent materials

Precise alignment



Capable for any color materials

07

Wireless

Support Multi Interfaces: USB cable U- Disk WIFI



08

Emergency Button

Double protections of emergency button and electric switch to enhance the safety and convenience



09

Dustproof Brush

Minimize dust incursion

